

SEWAGE VORTEX N

submersible pump for
sewage water



waste water



domestic use

SEWAGE
VORTEX N

Max Head 7 - 14m

Max Flow 9.6 - 30m³/h

Motor Power 0,15 - 1,5Kw

Discharge size G1¼ F/G2F



KEY ADVANTAGES OF A VORTEX N PUMP

APPLICATION

Vortex N series pumps are suitable for pumping drainage water and waste water. With 30 up to 50 mm spherical passage. They are used for various applications in the public and private sectors, trade and industry.

INSTALLATION

Permanent or transportable. Model with float switch control for automatic pump operation, depending on liquid level in the sump.

MATERIALS

Double seals, lip seals and reinforced carbon ceramic mechanical seal. Motor casing in stainless steel, 304 stainless steel or cast iron open impeller, pump body in cast iron, 420 stainless steel shaft.

PUMPED LIQUID

Clear water and drainage water, sewage containing soft solids. Max. liquid temperature: 35°C.

MOTOR

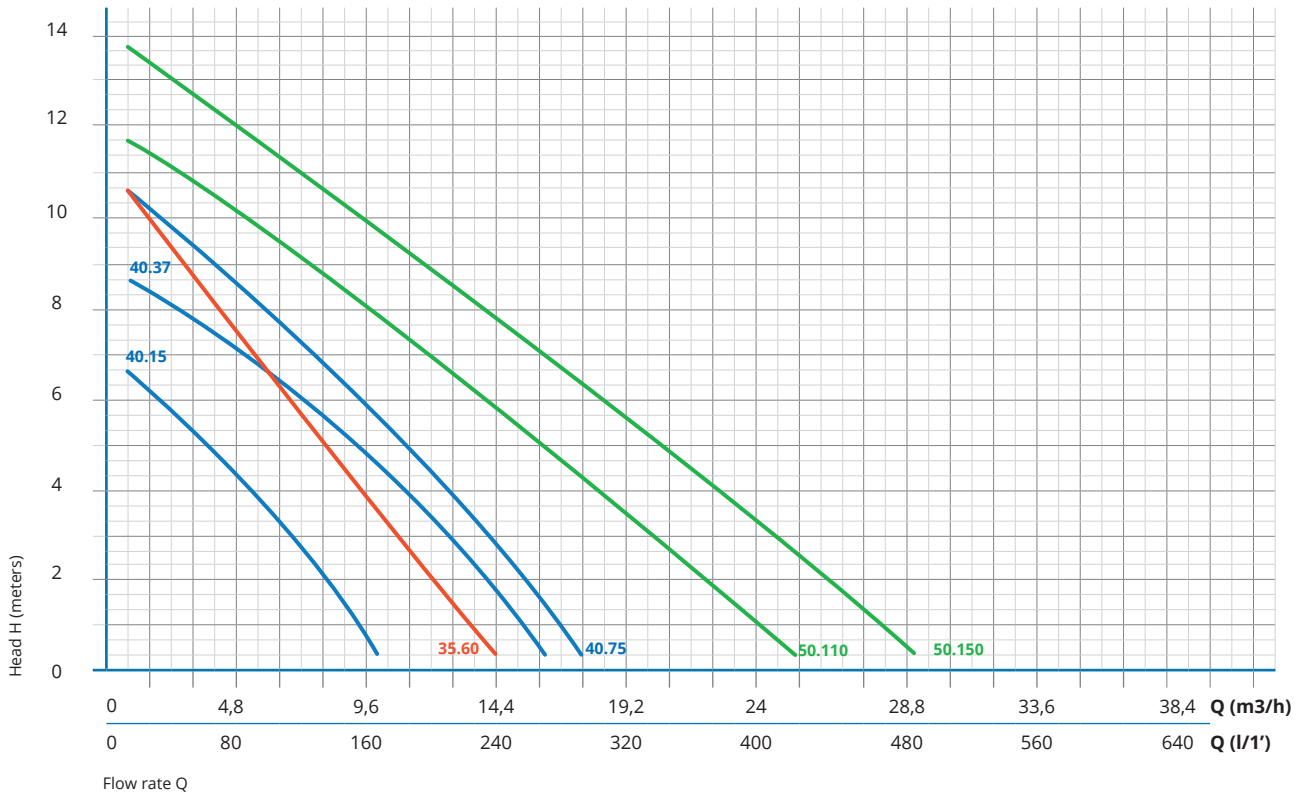
Fully submersible, pressure tight electric motor. Stainless steel motor- and pump housing. Insulation class F. Motor protection IP 68. Thermal sensors imbedded in the motor winding.

FEATURES

Power cable: 10 m neoprene.
Immersion depth of 10 m.

CHARACTERISTIC CURVES AND PERFORMANCE DATA

50 Hz

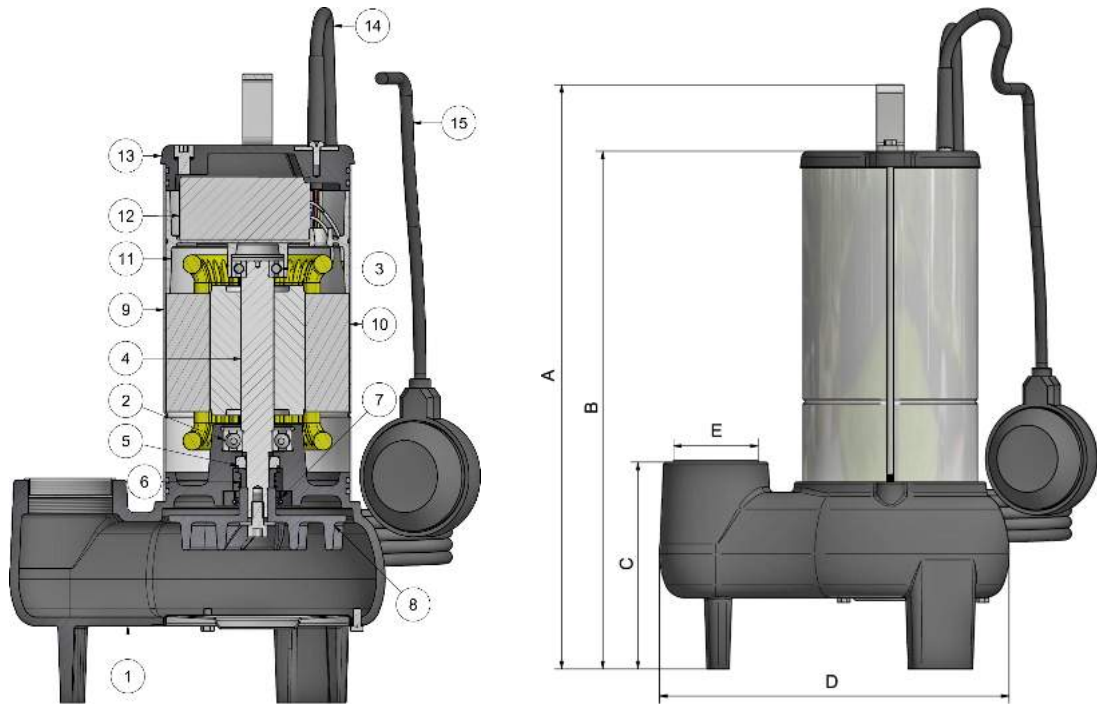


SEWAGE
VORTEX N

| TYPE | POWER KW | MOTOR | | | PORT | | Q m³/h l/min | 0 | 1,5 | 3 | 4,5 | 6 | 7,5 | 10,5 | 12 | 15 | 18 | 21 | 24 | 27 | 30 | | |
|----------|-------------|---------|----------|---------|------|-----|-----------------|----|------|------|------|------|------|------|-----|-----|-----|-----|-----|-----|-----|--|--|
| | | 1~ A | 1~ µF | 3~ A | Ømm | DN | | 0 | 25 | 50 | 75 | 100 | 125 | 175 | 200 | 250 | 300 | 350 | 400 | 450 | 500 | | |
| N 35.60 | 0,6 | 5,2 | 16 | 1,4 | 33 | 1"¼ | H - meters | 11 | 10 | 8,8 | 7,6 | 6,5 | 5,3 | 3,2 | 2,2 | 0,2 | | | | | | | |
| N 40.15 | 0,15 | 3 | 12 | 1 | 30 | 1"½ | | 7 | 6,3 | 5,5 | 4,7 | 3,9 | 3 | 1,1 | | | | | | | | | |
| N 40.37 | 0,37 | 3,4 | 16 | 1,3 | | | | 9 | 8,5 | 8 | 7,4 | 6,8 | 6,1 | 4,6 | 3,7 | 1,8 | | | | | | | |
| N 40.75 | 0,75 | 6,4 | 20 | 2,6 | 35 | 1"½ | | 11 | 10,2 | 9,5 | 8,8 | 8 | 7,2 | 5,4 | 4,5 | 2,5 | 0,4 | | | | | | |
| N 50.110 | 1,1 | 9,0 | 35 | 3,0 | 50 | 2" | | 12 | 11,9 | 11,2 | 10,5 | 9,8 | 9,1 | 7,7 | 6,9 | 5,5 | 4,1 | 2,6 | 1,1 | | | | |
| N 50.150 | 1,5 | 9,4 | 40 | 3,7 | | | | 14 | 13,6 | 12,9 | 12,1 | 11,3 | 10,6 | 9,1 | 8,4 | 7 | 5,6 | 4,2 | 2,9 | 1,5 | 0,3 | | |

COMPONENTS, MATERIALS, DIMENSIONS AND WEIGHT

SEWAGE
VORTEX N



| POS | COMPONENT | MATERIALS |
|-----|------------------------|---------------------------------------|
| 1 | Body Vortex Pump | Cast Iron |
| 2 | Bearing | Steel |
| 3 | Bearing | Steel |
| 4 | Rotor / Shaft | Steel and Aluminium / Stainless Steel |
| 5 | Mechanical Seal Fixe | Nitrile Rubber / Ceramics |
| 6 | Mechanical Seal Mobile | Graphite Steel |
| 7 | Lip Seals | Nitrile Rubber |
| 8 | Impeller | Cast Iron |
| 9 | Motor Casing | Stainless Steel |
| 10 | Stator | - |
| 11 | Top Engine Support | Aluminium |
| 12 | Capacitor | - |
| 13 | Pump Cover | - |
| 14 | Power Cable | Neoprene |
| 15 | Float | Neoprene / Plastic |

| TYPE | DIMENSIONS (mm) | | | | | | WEIGHT Kg | PALETTE Un | | |
|-----------------|-----------------|-----|-----|-----|------|----------------|--------------|---------------|----|------|
| | A | B | C | D | ØE | Ø (passage) | | | | |
| N 35.60 | 331 | 281 | 111 | 211 | 1" ¼ | 33 | 10,5 | 75 | | |
| N 40.15 | 315 | 265 | | 213 | 1" ½ | 30 | 9,8 | | | |
| N 40.37 | 325 | 275 | | 123 | | 220 | 35 | | 10 | |
| N 40.75 | 354 | 304 | 151 | | 255 | | 2" | | 50 | 11,5 |
| N 50.110 | 427 | 379 | 151 | 255 | | 2" | | 50 | | 17,0 |
| N 50.150 | 437 | 389 | | | | | | | | 19,0 |